

Fans

Soundbox2 - size 146 - 630

The fans from Geovent can be placed in a fully galvanized sound box, which reduces the noise significantly. At the same time, the fan and the motor are protected from the environment.

The sound box completely encloses the fan and the motor, so noise reduction and protection is maximized. The motor is cooled with air through a grid in the bottom of the sound box.

Benefits of the sound box:

- Fully galvanized steel construction protects against corrosion
- Effective noise reduction, 10 - 15 db(A)
- A flexible connection is built in to avoid vibration
- Made with a sealed spigot for direct connection of Spiro duct
- Easy to lift with straps, a forklift etc.
- Easy and simple service access through a lockable door
- Smaller and lighter construction

Ordering table

Art. No.	Description
38-072	Soundbox2 146
30-072	Soundbox2 180
31-072	Soundbox2 200
32-072	Soundbox2 225
33-072	Soundbox2 250
34-072	Soundbox2 315
34-572	Soundbox2 355
35-072	Soundbox2 400
35-572	Soundbox2 450
36-572	Soundbox2 500
35-872	Soundbox2 560
35-772	Soundbox2 630

Accessories for soundbox2

Art. No.	Description
92-211	Safety switch 16Amp
92-212	Safety switch 45Amp
56-052	Reduction, sleeve ø200MF/NP ø125
56-053	Reduction, sleeve ø200MF/NP ø100
56-054	Reduction, sleeve ø200MF/NP ø160
56-055	Reduction, sleeve ø250MF/NP ø160

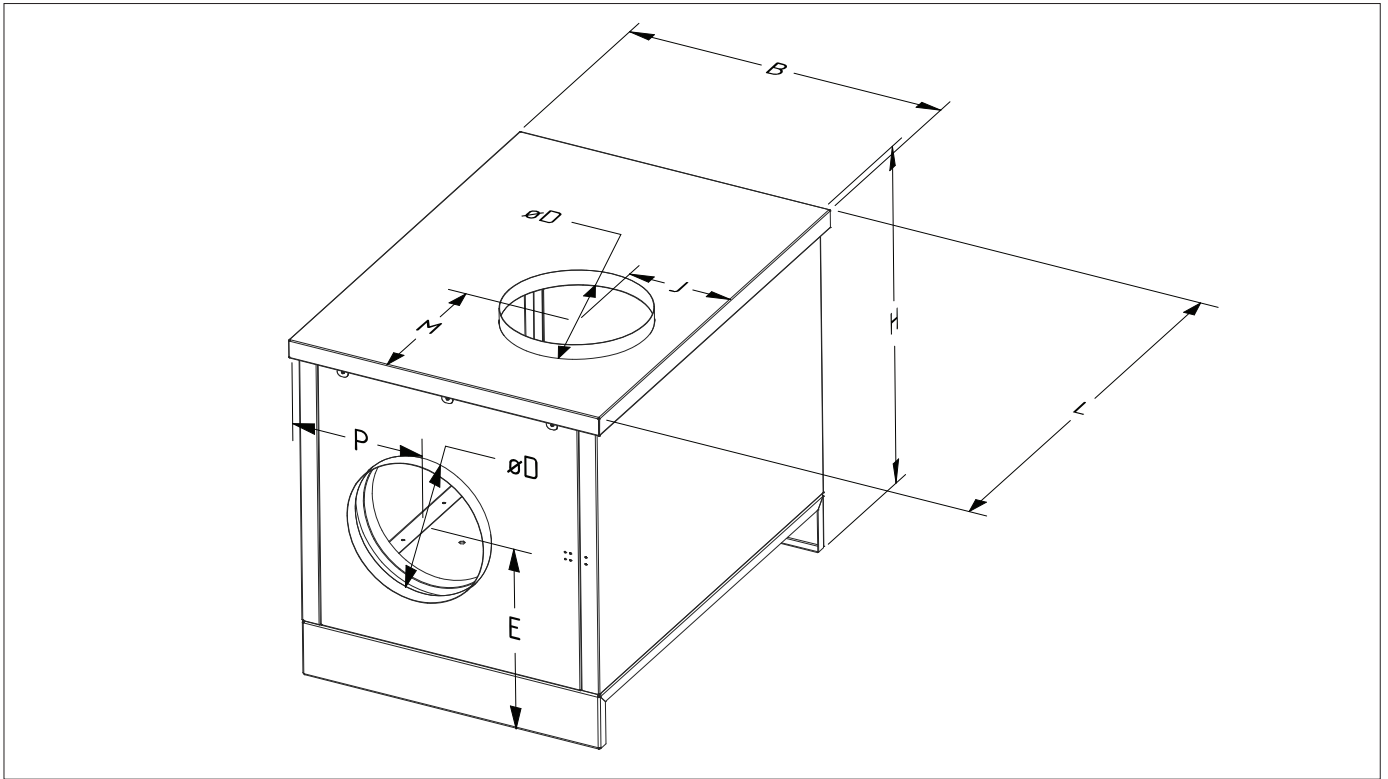


Soundbox2, available in different sizes



Lock and handles on Soundbox2

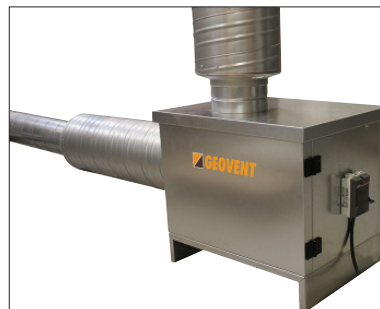
Dimensions



NOTE: When the fan is built into a soundbox it comes without feet.
 Custom versions such as AISI 316L are available on request at an additional charge.

Dimensions for soundboxes - mm

Type	146/180/200	225/250	315	355/400	450/500	560/630
B	518	615	715	873	986	1290
H	592	652	778	915	1046	1277
L	685	784	984	1080	1272	1390
øD	200	250	315	400	500	630
E	330	345	415	485	546	673
P	226	268	298	354	420	525
M	212/262	254	335	308	379	429
J	169/189	205	233	269	318	393
Weight	34 kg	42 kg	63 kg	81 kg	105 kg	155 kg



Soundbox2, here shown with silencers on inlet/outlet, and with a safety (repair) switch (not factory mounted).